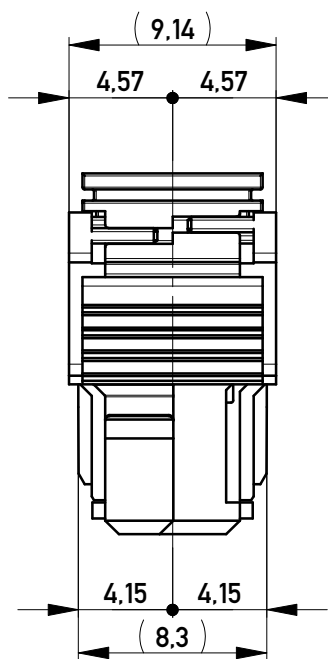
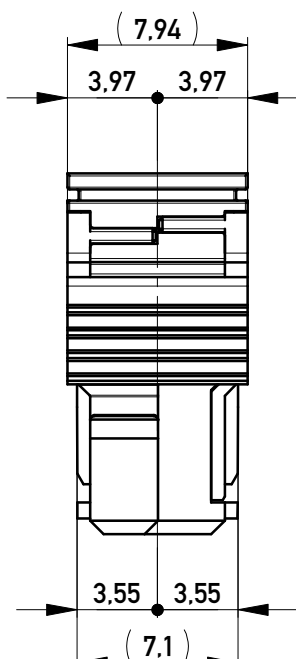


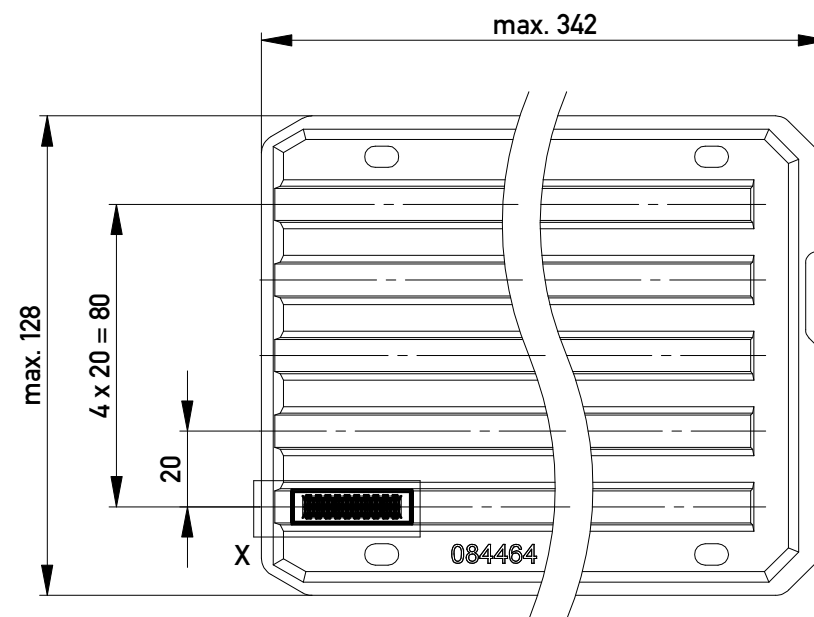
Abdeckungen vorverrastet
covers loose mounted



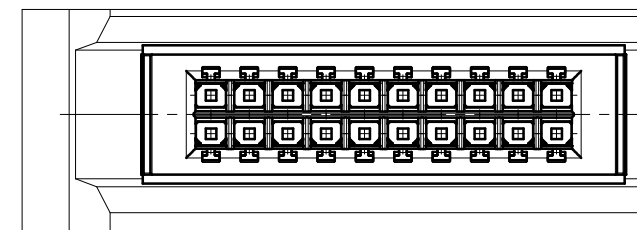
Abdeckungen verpresst
covers pressed on



Verpackt in Tray - tray packaging
Verpackungseinheit 45 Stück - packaging unit 45



Einzelheit X
detail X



Copyright by ERNI Production GmbH & Co. KG
Proprietary notice pursuant to ISO 16016 to be observed.

Information: Codierung schwarz - coding black		Tolerances		Scale	3:1
All rights reserved. Only for Information. To ensure that this is the latest version of this drawing, please contact one of the ERNI companies before using.		Subject to modification without prior notice. Drawing will not be updated.		Designation F 2.54 DRC-B, 20-polig	
a		www.ERNI.com		103503880001	
Index	05.10.2015	Date		Class	DRCBUG
					K
					A3